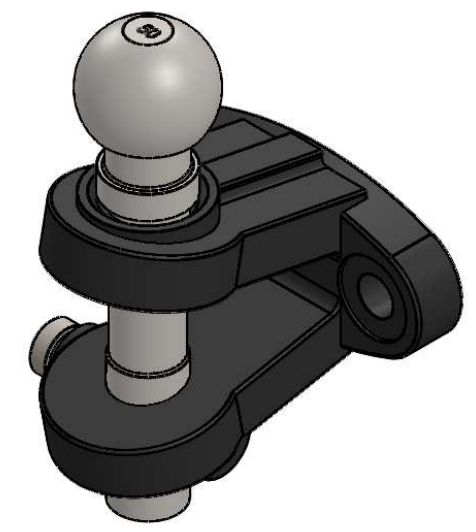
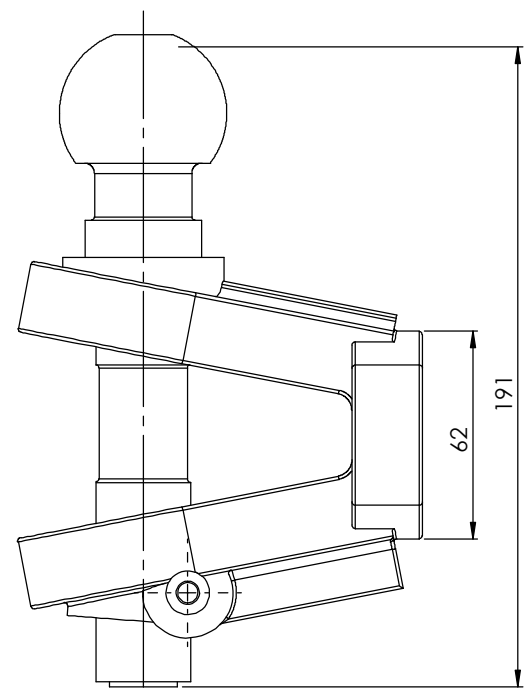
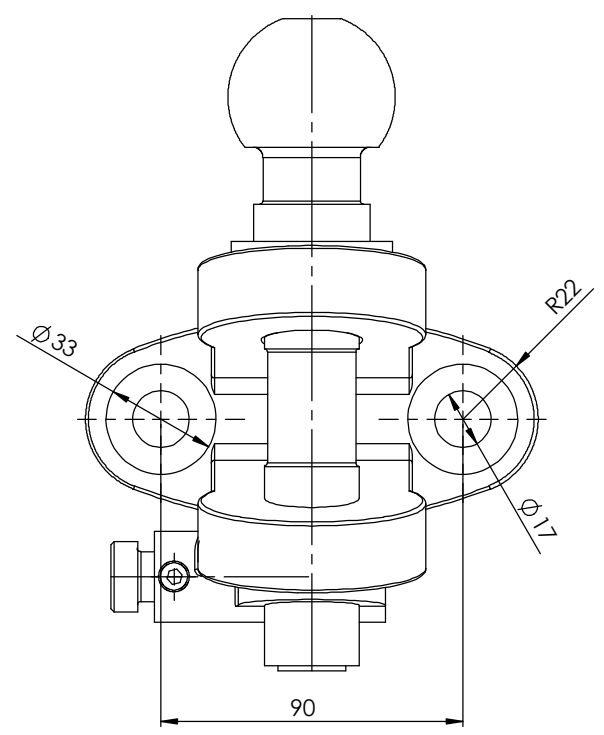
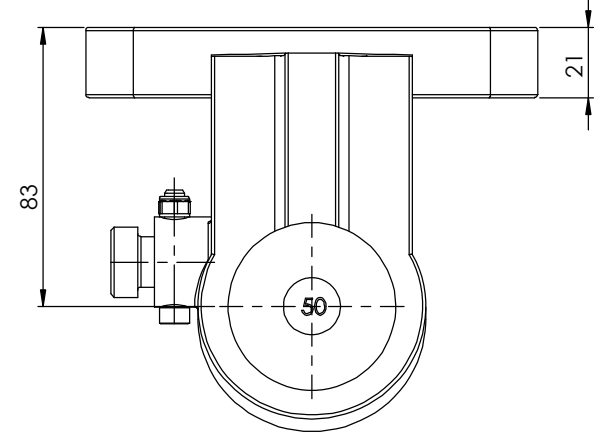


EST MASS: TOT SURFACE AREA:



© COPYRIGHT BURQUIP INTERNATIONAL (Pty) Ltd

TITLE:

BURQUIP

ASSUME A TOLERANCE OF ±1mm FOR DIMENSIONS WITHOUT TOLERANCES ALL DIMENSIONS IN mm UNLESS OTHERWISE SHOWN

PRODUCT: **PIN & BALL COMB.**

SCALE: 1:2 SHEET: A3
 DRAWN BY: ARNOLD KABUYA
 DATE: 2018-08-29

DRAWING NO. **NTL014**

REV **P1**

REV	DESCRIPTION OF CHANGE	ZONE	AUTH NO.	BY	DATE
P1	RELEASED				