

GAS CARBURATOR CONVERSION USER MANUAL

THE CARBURETOR IS AN AUTOMATIC SWITCH OVER FROM FUEL/PETROL AND GAS, IT IS SUGGESTED TO USE GAS FIRST AND THEN TO SWITCH TO FUEL/PETROL AFTER THE USE OF GAS.

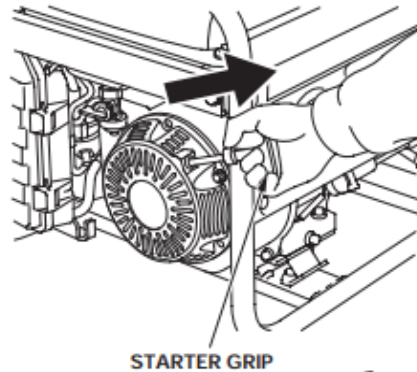
STEP 1:

Press and hold the gas pump button for 3 seconds.



STEP 3:

Pull the starter grip 1-2 times to let the gas flow into ignition chamber.



STEP 2:

Turn "OFF" the choke lever.



STEP 4:

Turn the choke lever to "ON".



STEP 5:

Start the machine manually or by pushing the start button.

